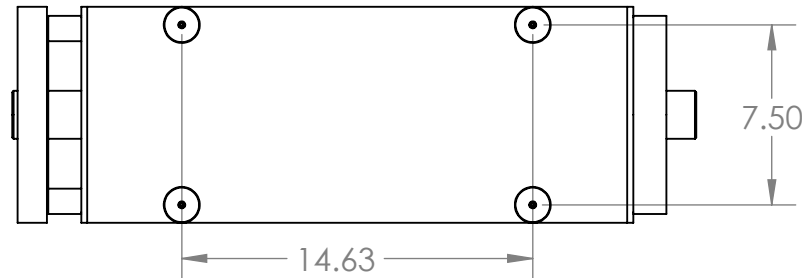
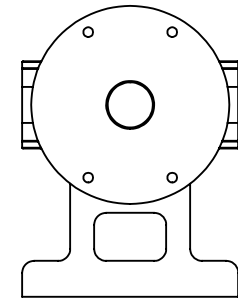
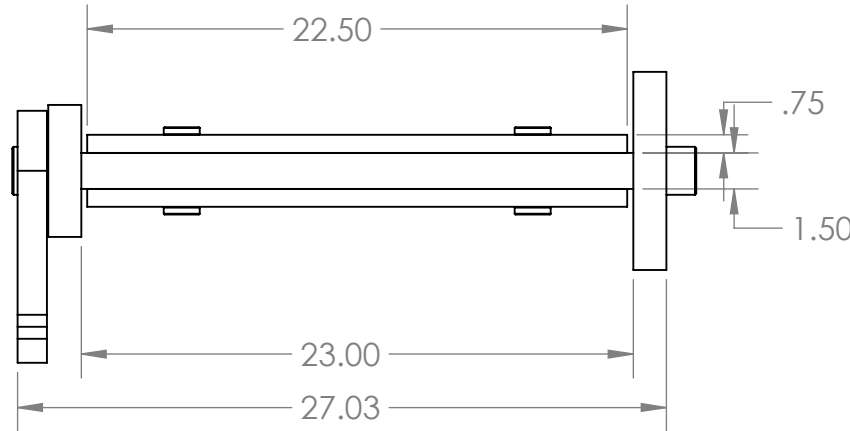
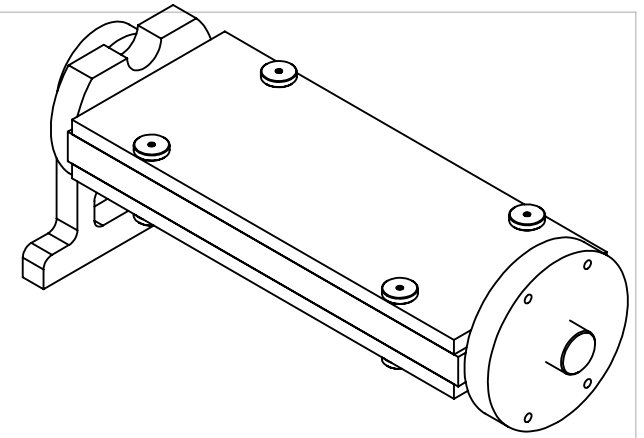
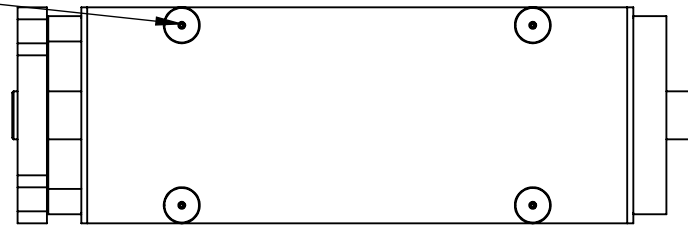
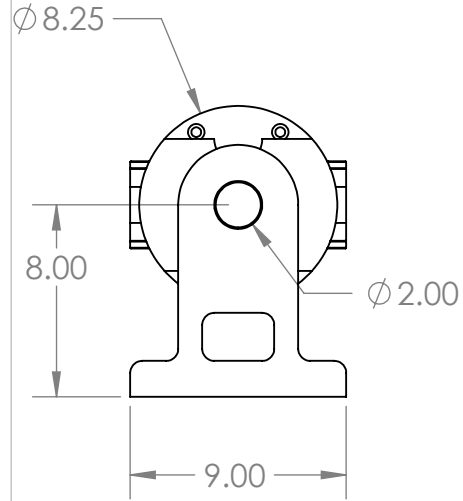


4 position 16mm balllocks per side



**PROPRIETARY AND CONFIDENTIAL**  
 THE INFORMATION CONTAINED IN THIS DRAWING IS THE SOLE PROPERTY OF <INSERT COMPANY NAME HERE>. ANY REPRODUCTION IN PART OR AS A WHOLE WITHOUT THE WRITTEN PERMISSION OF <INSERT COMPANY NAME HERE> IS PROHIBITED.

		UNLESS OTHERWISE SPECIFIED:	NAME	DATE		
		DIMENSIONS ARE IN INCHES	DRAWN		TITLE:	
		TOLERANCES:	CHECKED			
		FRACTIONAL $\pm$	ENG APPR.			
		ANGULAR: MACH $\pm$ BEND $\pm$	MFG APPR.			
		TWO PLACE DECIMAL $\pm$	Q.A.		SIZE	DWG. NO.
		THREE PLACE DECIMAL $\pm$	COMMENTS:		SCALE: 1:8	WEIGHT:
NEXT ASSY	USED ON	INTERPRET GEOMETRIC TOLERANCING PER:			REV	
APPLICATION		MATERIAL			SHEET 1 OF 1	
		FINISH				

MODEL TRUNNION 23X9 DBS BALLLOC