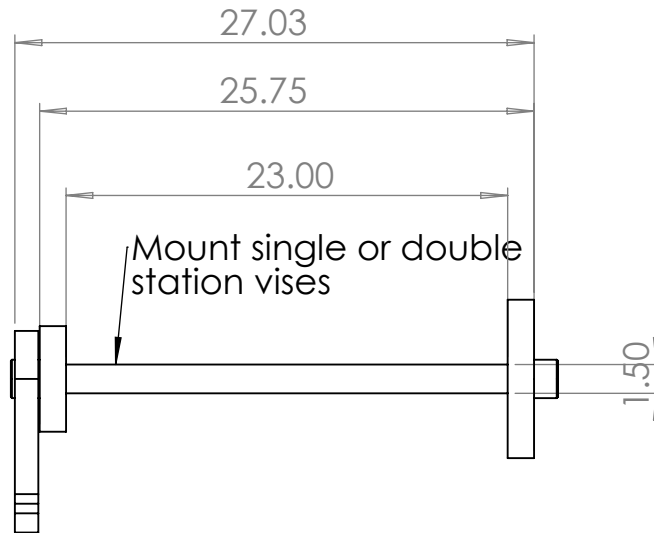
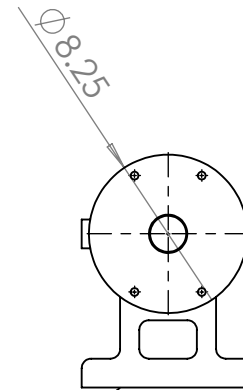


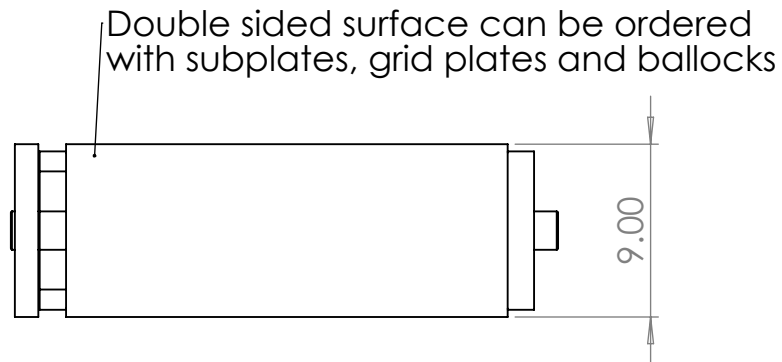
Faceplate made to mount to customer rotary table with correct bolt pattern and alignment knob



Mount single or double station vises



Outboard support complete with bearing customized to customer rotary table centerheight



**PROPRIETARY AND CONFIDENTIAL**  
 THE INFORMATION CONTAINED IN THIS DRAWING IS THE SOLE PROPERTY OF <INSERT COMPANY NAME HERE>. ANY REPRODUCTION IN PART OR AS A WHOLE WITHOUT THE WRITTEN PERMISSION OF <INSERT COMPANY NAME HERE> IS PROHIBITED.

		UNLESS OTHERWISE SPECIFIED:	NAME	DATE
		DIMENSIONS ARE IN INCHES	DRAWN	
		TOLERANCES:	CHECKED	
		FRACTIONAL ±	ENG APPR.	
		ANGULAR: MACH ± BEND ±	MFG APPR.	
		TWO PLACE DECIMAL ±	Q.A.	
		THREE PLACE DECIMAL ±	COMMENTS:	
		INTERPRET GEOMETRIC TOLERANCING PER:		
		MATERIAL		
		FINISH		
NEXT ASSY	USED ON			
APPLICATION		DO NOT SCALE DRAWING		

Class 35 Cl		
TITLE: Martin Manufacturing 602 Main St. Elsmere, Ky 41018 859-727-9900		
SIZE	DWG. NO.	REV
SCALE: 1:10	WEIGHT:	SHEET 1 OF 1

# MODEL TRUNNION 23X9 DBS WITH