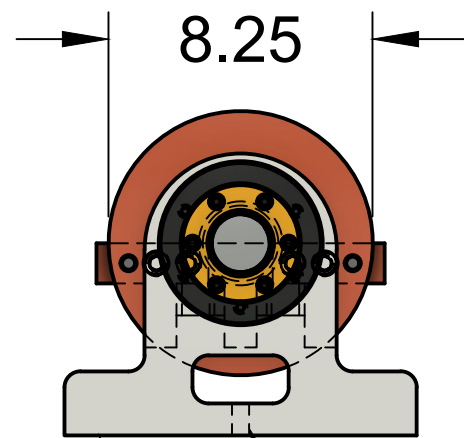


Optional brake for added rigidity

Surface of trunnion flat and square to faceplate



Hole in outboard support to mount to machine table

Surface of trunnion made on centerline unless specified

Bolt pattern and center plug made to rotary table

Outboard made to match center height of rotary table

