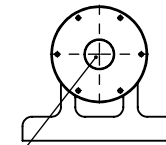
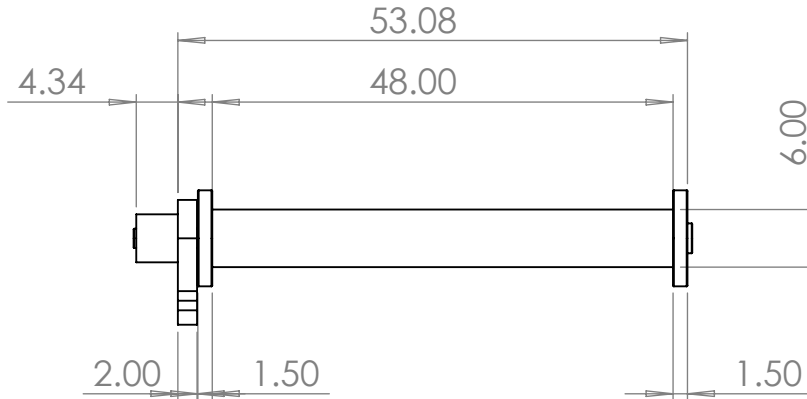
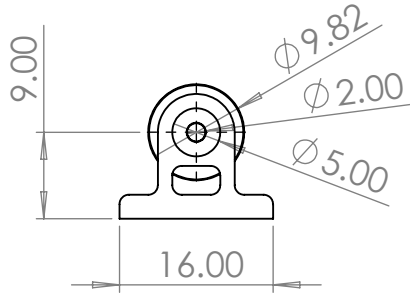
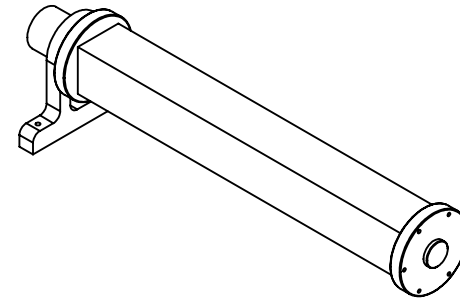
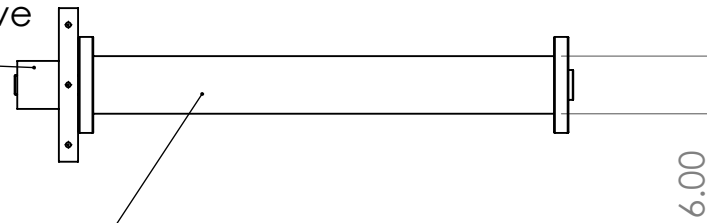


Available in 6, 8, 10, 12" square models in any length up to 60"



Centerheight made to match customer's rotary table.

Hydraulic brake activated by rotary table solenoid valve



Specifications subject to change without notice.

Surface available with grid pattern, balllocks or custom.

**PROPRIETARY AND CONFIDENTIAL**  
 THE INFORMATION CONTAINED IN THIS DRAWING IS THE SOLE PROPERTY OF <INSERT COMPANY NAME HERE>. ANY REPRODUCTION IN PART OR AS A WHOLE WITHOUT THE WRITTEN PERMISSION OF <INSERT COMPANY NAME HERE> IS PROHIBITED.

		UNLESS OTHERWISE SPECIFIED:	NAME	DATE	Cast iron construction
		DIMENSIONS ARE IN INCHES TOLERANCES: FRACTIONAL ± ANGULAR: MACH ± BEND ± TWO PLACE DECIMAL ± THREE PLACE DECIMAL ±	DRAWN		
		INTERPRET GEOMETRIC TOLERANCING PER:	CHECKED		
		MATERIAL	ENG APPR.		
		FINISH	MFG APPR.		
NEXT ASSY	USED ON		Q.A.		SIZE DWG. NO. REV
APPLICATION		DO NOT SCALE DRAWING	COMMENTS:		6 inch A tomb brake plain
					SCALE: 1:20 WEIGHT: SHEET 1 OF 1